



*Design Proposal of 500KWh ESS  
(Zavod AIT)*

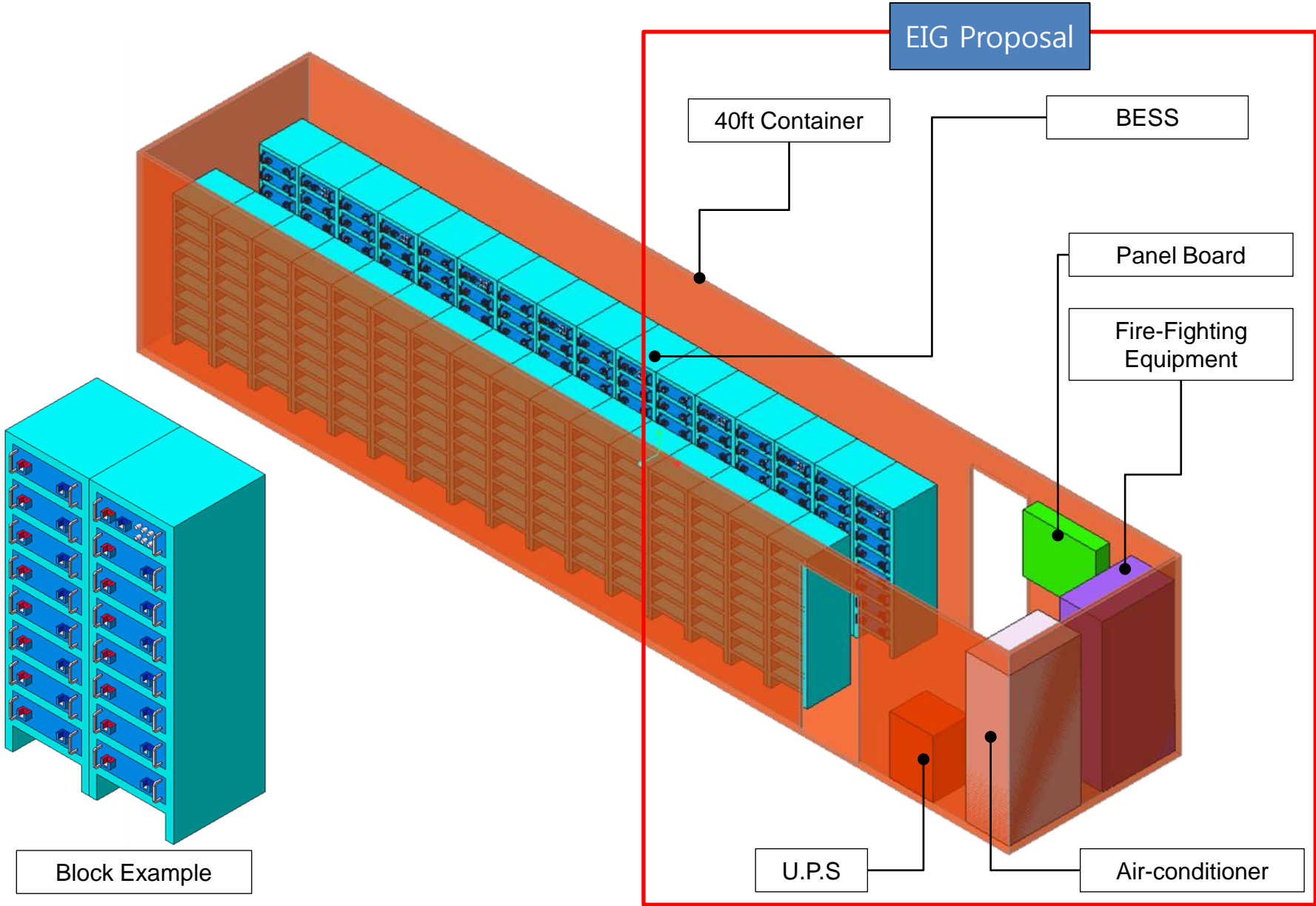
EIG

Nov., 2015

- 
- General Specification
  - Overview of 40ft Container(ESS)
  - Plan of Components Arrangement inside BESS
  - Block Diagram of power line and signal line inside ESS
  - Proposal from EiG

Item	Container Type Rack
Chemistry	NCM
Usable Energy(kWh)	500
Nominal Power(kW)	500
Max Discharge Power(kW)	1,000
Max Charge Power(kWh)	500
Nominal Voltage(Vdc)	550
Operating Temperature	0°C~40°C
Storage Temperature	0°C~40°C
Communication Protocol	CAN Bus 2.0
Dimensions(LXWXH, approx)	12m x 2.3m x 2.4m

# Overview of 40ft Container(ESS)

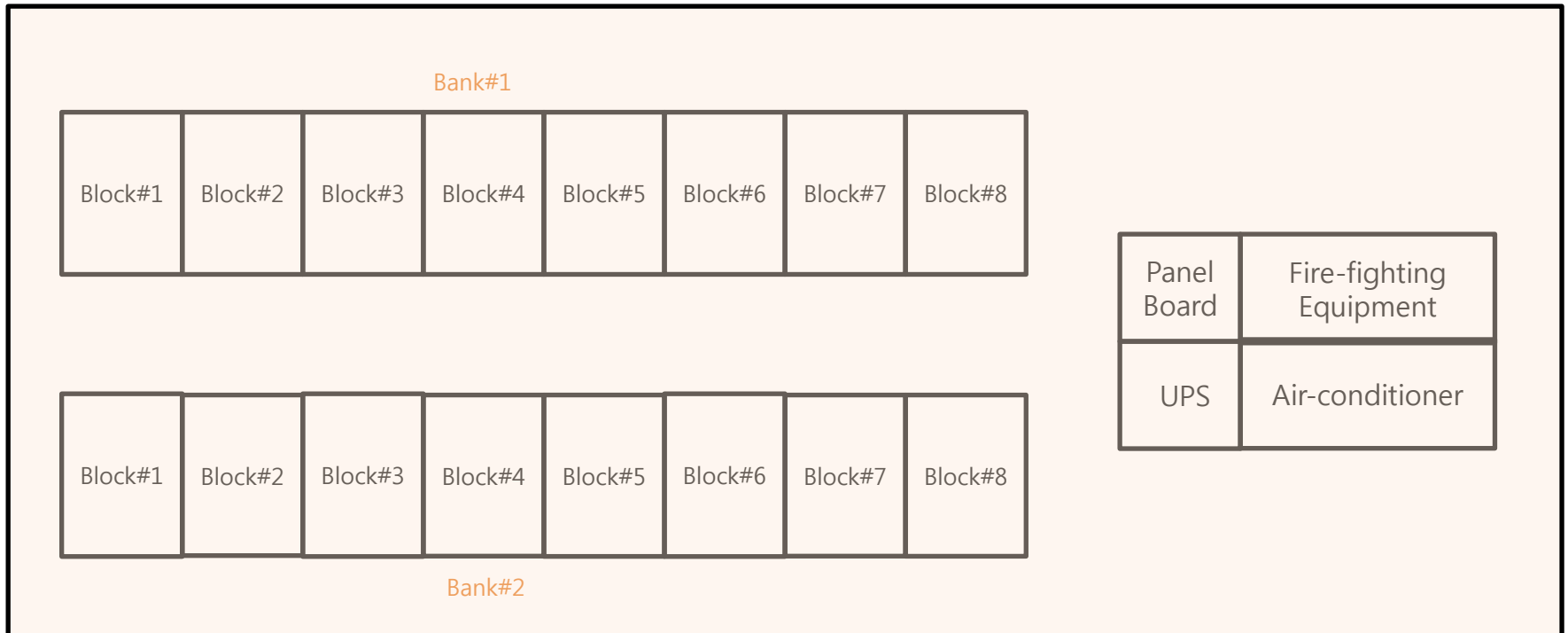


# Plan of Components Arrangement inside BESS

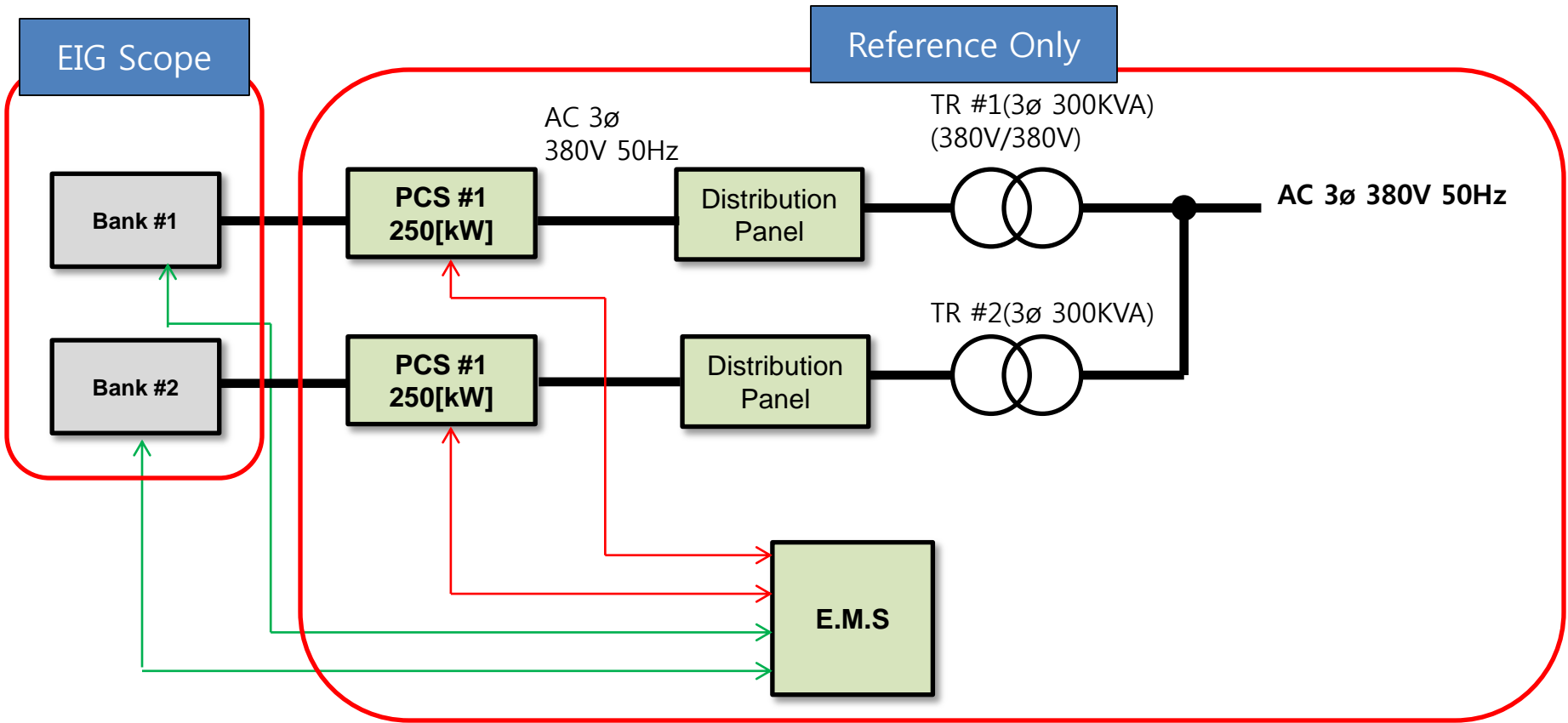
## 1. Installation Place : 40ft Container( 1ea )

Dimensions of Container(ISO)

40ft : (L) 12.034m x (W) 2.348m x (H) 2.39m



# Block Diagram of power line and signal line inside ESS



- SOC & SOH,
- BMS Status,
- Error Status,
- Relay Status
- Pack & Cell Status
- Warning & Fault
- Charge & discharge enable 외

PCS  
Operation  
Information

- Evaluation of Consumption
- Prediction Analysis
- Monitoring & Display
- Demand Management

- Power Line
- RS-485(CAN)
- Ethernet

## 1. Quotation

<b>Item</b>	<b>Price</b>
BESS	\$457,000.00
Engineering	\$33,000.00
Total	\$490,000.00

## 2. Remark

- (1) Currency : U.S Dollars
- (2) Payment term : TBD
- (3) Delivery term : EXW
  - The above mentioned price does not include 1) DG packing and inspection cost for the shipment and 2) Delivery cost from Korea to Russia
- (4) Lead Time : TBD